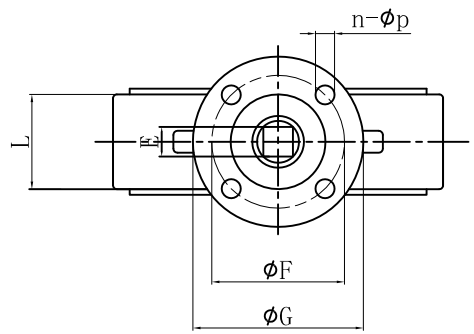
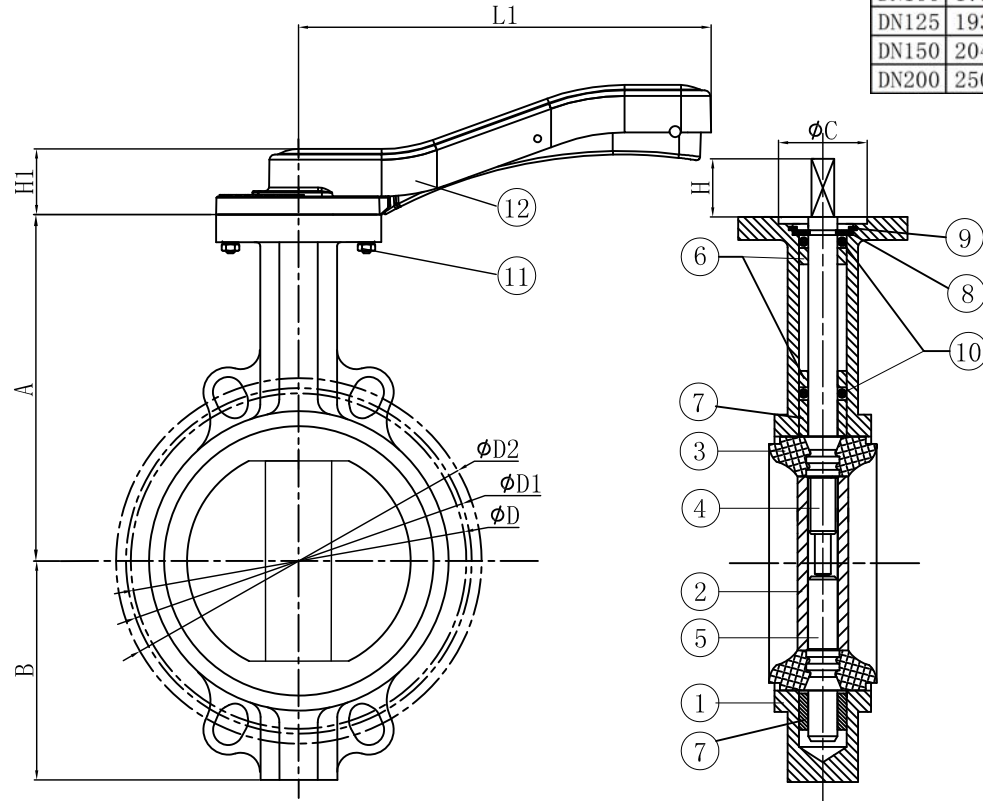


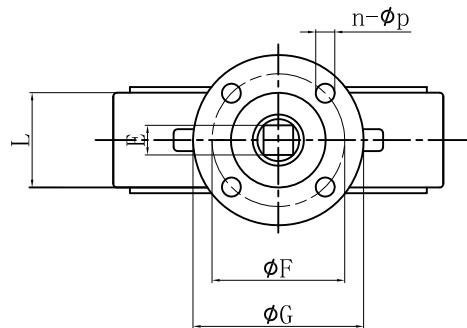
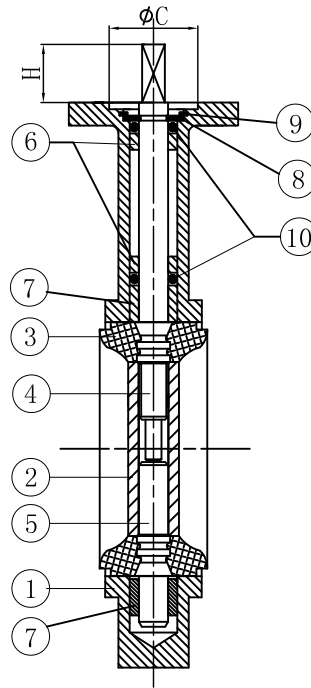
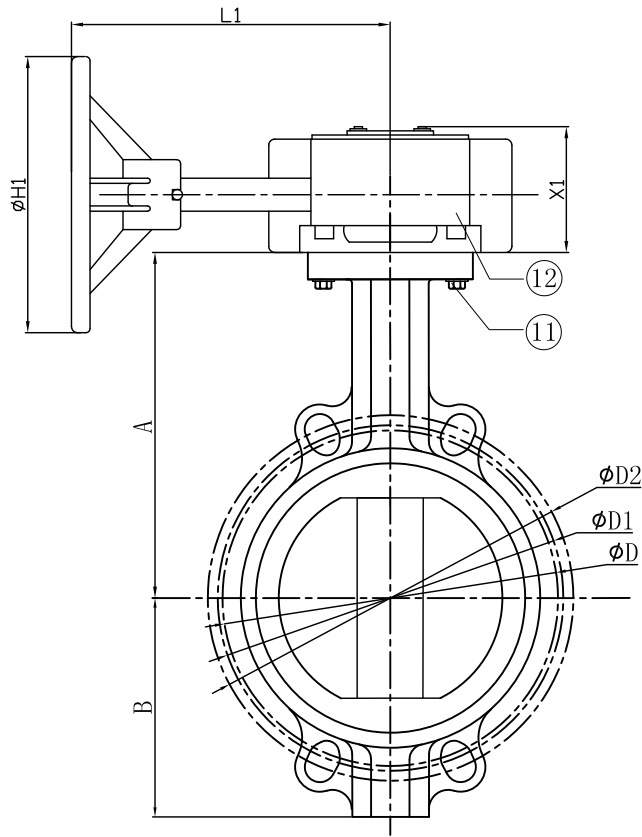
DN	A	B	C	PN10		PN16		CL125		E	F	G	n- ϕ P	H	H1	L	L1
				D	hole	D1	hole	D2	hole								
DN80	161	87	56	160	8x19	160	8x19	152.4	4x19	11	70	90	4x10	19	31	64	176
DN100	179	105	56	180	8x19	180	8x19	190.5	8x19	11	70	90	4x10	19	36	64	225
DN125	193	120	56	210	8x19	210	8x19	216	8x22	14	70	90	4x10	19	36	70	225
DN150	204	138	56	240	8x23	240	8x23	241.5	8x22	14	70	90	4x10	19	36	76	225
DN200	250	174	71	295	8x23	295	12x23	298.5	8x22	17	102	125	4x12	25	42	89	300



No.	Name of parts	Qty	Material
1	Body	1	Ductile iron
2	Disc	1	Ductile iron/SS/Alu-Bronze
3	Seat	1	EPDM
4	Upper shaft	1	SS410
5	Lower shaft	1	SS410
6	Short bush	2	PTFE
7	Long bush	2	PTFE
8	screw	2	CS
9	retaining ring	1	Q235
10	O-ring	1	NBR
11	Bolt	2	CS Chromed
12	Handle	1	Die casting aluminum(cast iron for 8")

<p>NORTECH Engineering Corporation</p> <p>Rm120 Building No.1 No.15,Lane 1985 Chunshen Road,Minhang Shanghai 201108,China</p> <p>Tel:+86 21 5471 7893 Fax:+86 21 5471 7897 Email:sales@nortech-v.com www.nortech-v.com</p>	wafer long butterfly valve
	DN80-DN200 (PN10/16 CL125)
	Drawing No.:805L

				PN10		PN16		CL125										
SIZE	A	B	C	D	Hole	D1	Hole	D2	Hole	E	F	G	n-φP	H	H1	L	L1	X1
DN250	282	209	71	350	12x23	355	12x28	362	12x26	22	102	125	4x12	30	215	114	216	71
DN300	326	242	71	400	12x23	410	12x28	432	12x26	22	102	125	4x12	30	215	114	216	71



No.	Name of parts	Qty	Material
1	Body	1	Ductile iron
2	Disc	1	Ductile iron/SS/Alu-Bronze
3	Seat	1	EPDM
4	Upper shaft	1	SS410
5	Lower shaft	1	SS410
6	Short bush	2	PTFE
7	Long bush	2	PTFE
8	screw	2	CS
9	retaining ring	1	Q235
10	O-ring	1	NBR
11	Bolt	2	CS Chromed
12	Gearbox	1	Die casting aluminum

NORTECH Engineering Corporation

Rm120 Building No.1
No.15, Lane 1985 Chunshen Road, Minhang
Shanghai 201108, China

Tel: +86 21 5471 7893
Fax: +86 21 5471 7897
Email: sales@nortech-v.com
www.nortech-v.com

wafer long
butterfly valve

DN50-DN300
(PN10/16 CL125)

Drawing No.: 805G